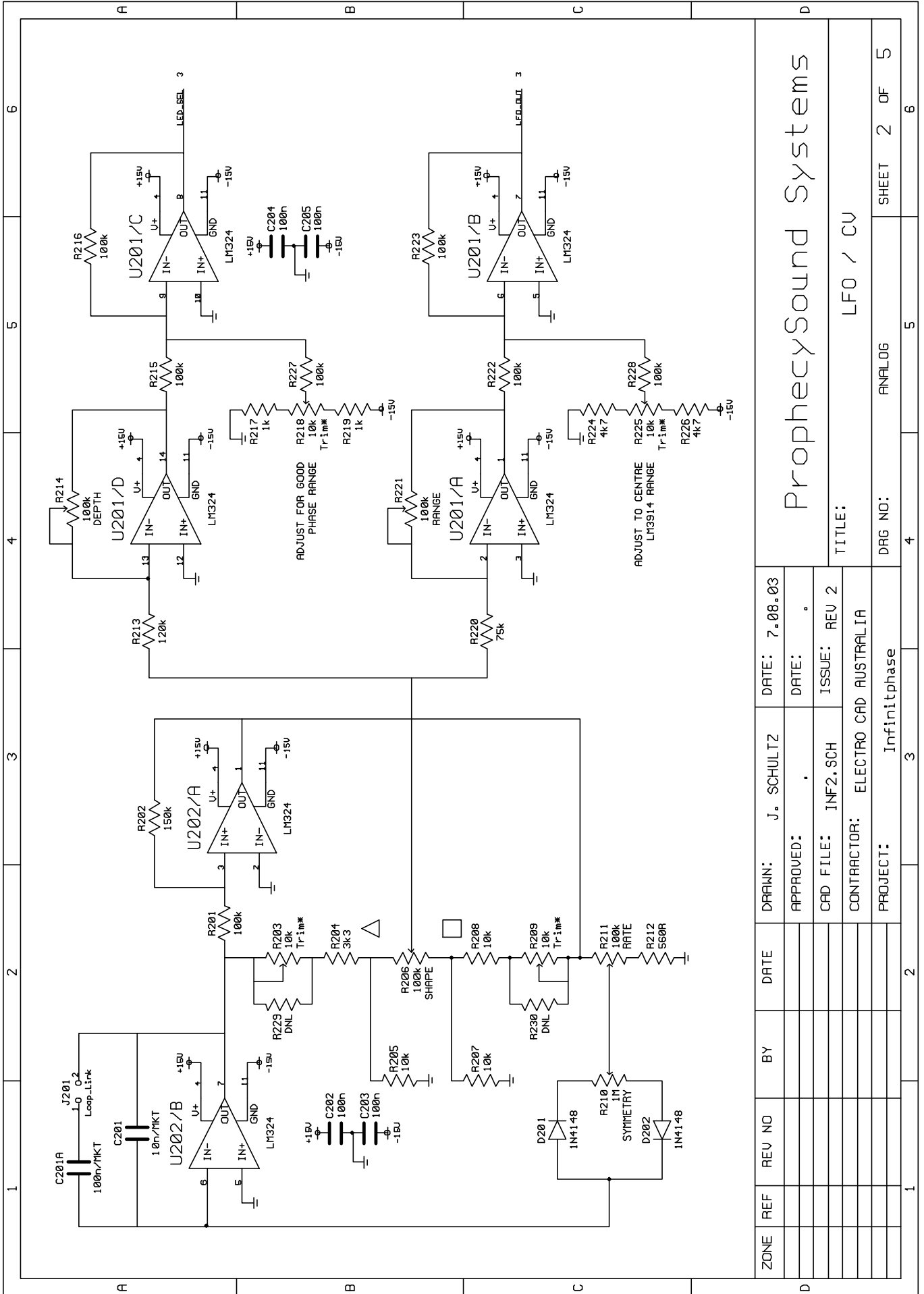


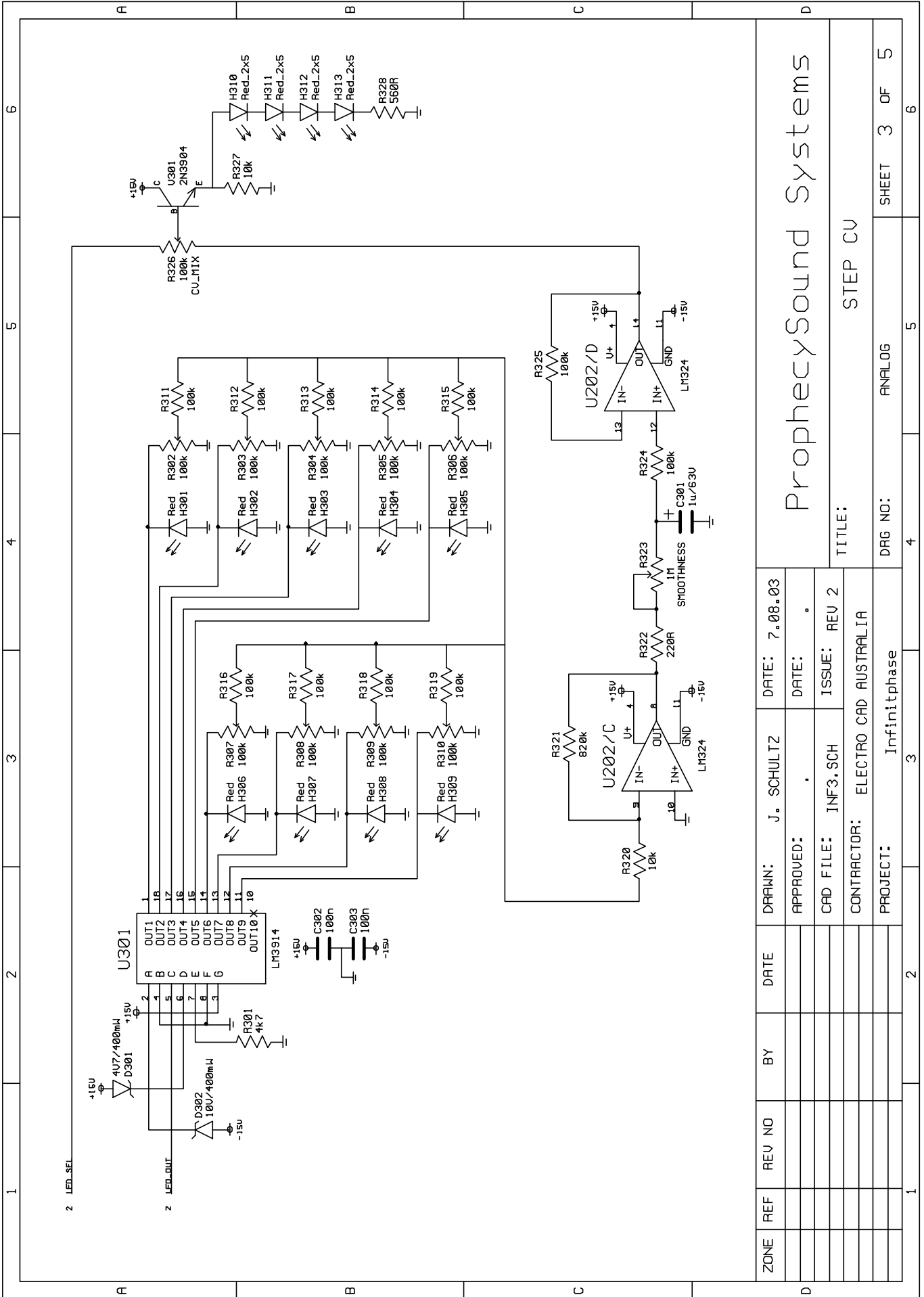
ZONE	REF	REV NO	BY	DATE	DRAWN:	J. SCHULTZ	DATE:	7.08.03
					APPROVED:	.	DATE:	.
					CAD FILE:	INF1.SCH	ISSUE:	REV 2
					CONTRACTOR:	ELECTRO CAD AUSTRALIA		
					PROJECT:	Infiniphase		

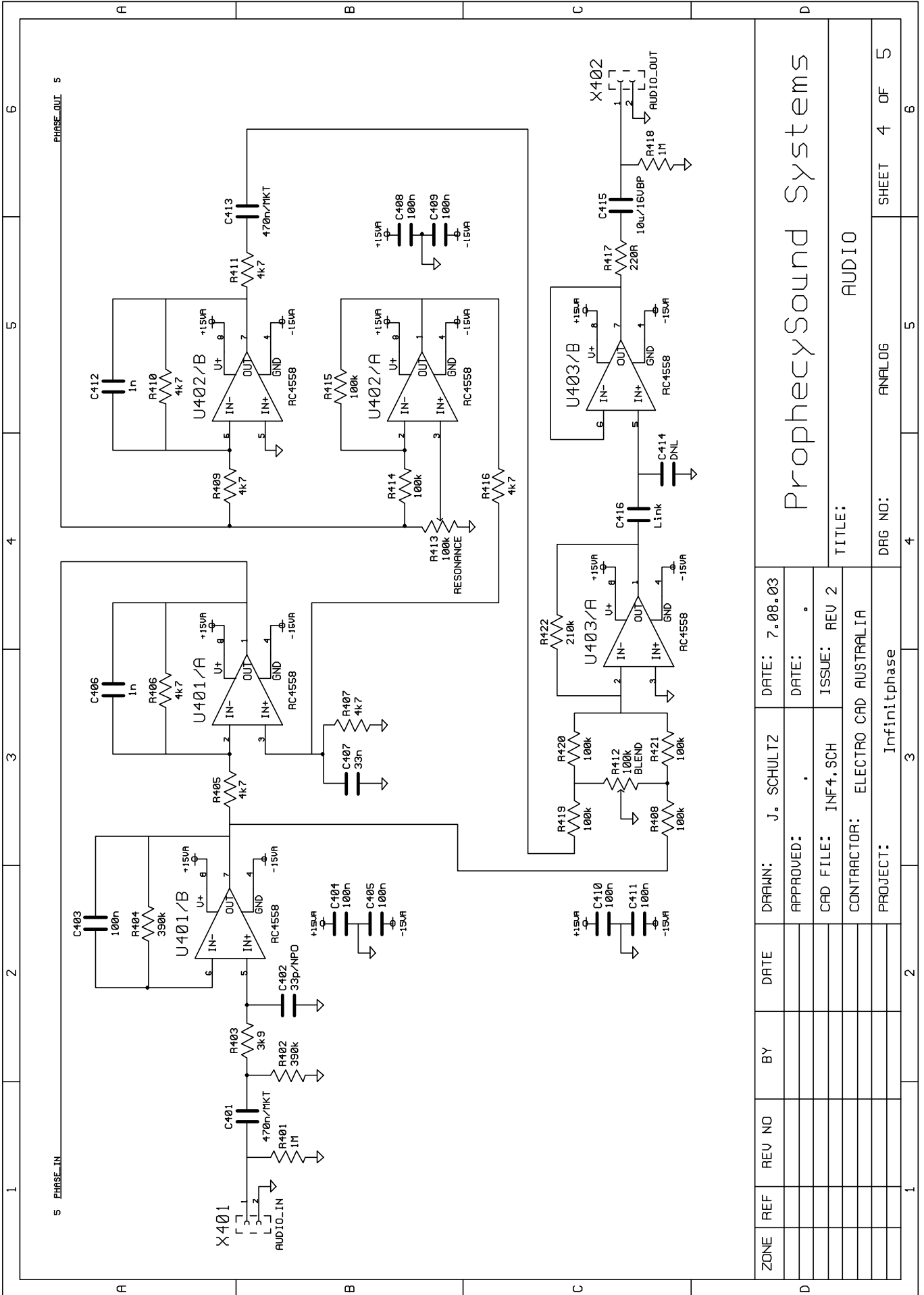
ProphecySound Systems	
TITLE: Power Supplies	
DRG NO: ANALOG	SHEET 1 OF 5



ZONE REF	REV NO	BY	DATE	DRAWN:	J. SCHULTZ	DATE:	7.08.03	
				APPROVED:	.	DATE:	.	
				CAD FILE:	INF2.SCH	ISSUE:	REV 2	
				CONTRACTOR:	ELECTRO CAD AUSTRALIA			
				PROJECT:	Infinittphase			
ProphecySound Systems								
TITLE:							LFO / CV	
				DRG NO:	ANALOG	SHEET	2 OF 5	



ZONE	REF	REV NO	BY	DATE	DRAWN:	J. SCHULTZ	DATE:	7.08.03
					APPROVED:	.	DATE:	.
					CAD FILE:	INF3.SCH	ISSUE:	REV 2
					CONTRACTOR:	ELECTRO CAD AUSTRALIA		
					PROJECT:	Infiniphase		
					TITLE: STEP CU			
					DRG NO: ANPLOG			
					SHEET 3 OF 5			



1 2 3 4 5 6

A B C D

PHASE\_IN 5 PHASE\_OUT 5

U401/A U401/B U402/A U402/B U403/A U403/B

R401 R402 R403 R404 R405 R406 R407 R408 R409 R410 R411 R412 R413 R414 R415 R416 R417 R418 R419 R420 R421 R422

C401 C402 C403 C404 C405 C406 C407 C408 C409 C410 C411 C412 C413 C414 C415 C416

X401 X402

AUDIO\_IN AUDIO\_OUT

RESONANCE

LINK

DRG NO: ANFLOG

TITLE: AUDIO

DATE: 7.08.03

DATE:

ISSUE: REV 2

CONTRACTOR: ELECTRO CAD AUSTRALIA

PROJECT: Infiniphase

1 2 3 4 5 6

1 2 3 4 5 6

1 2 3 4 5 6

1 2 3 4 5 6

1 2 3 4 5 6

1 2 3 4 5 6

1 2 3 4 5 6

1 2 3 4 5 6

1 2 3 4 5 6

1 2 3 4 5 6

1 2 3 4 5 6

1 2 3 4 5 6

1 2 3 4 5 6

1 2 3 4 5 6

1 2 3 4 5 6

1 2 3 4 5 6

1 2 3 4 5 6

1 2 3 4 5 6

1 2 3 4 5 6

1 2 3 4 5 6

1 2 3 4 5 6

1 2 3 4 5 6

1 2 3 4 5 6

1 2 3 4 5 6

1 2 3 4 5 6

1 2 3 4 5 6

1 2 3 4 5 6

1 2 3 4 5 6

1 2 3 4 5 6

1 2 3 4 5 6

1 2 3 4 5 6

1 2 3 4 5 6

1 2 3 4 5 6

1 2 3 4 5 6

1 2 3 4 5 6

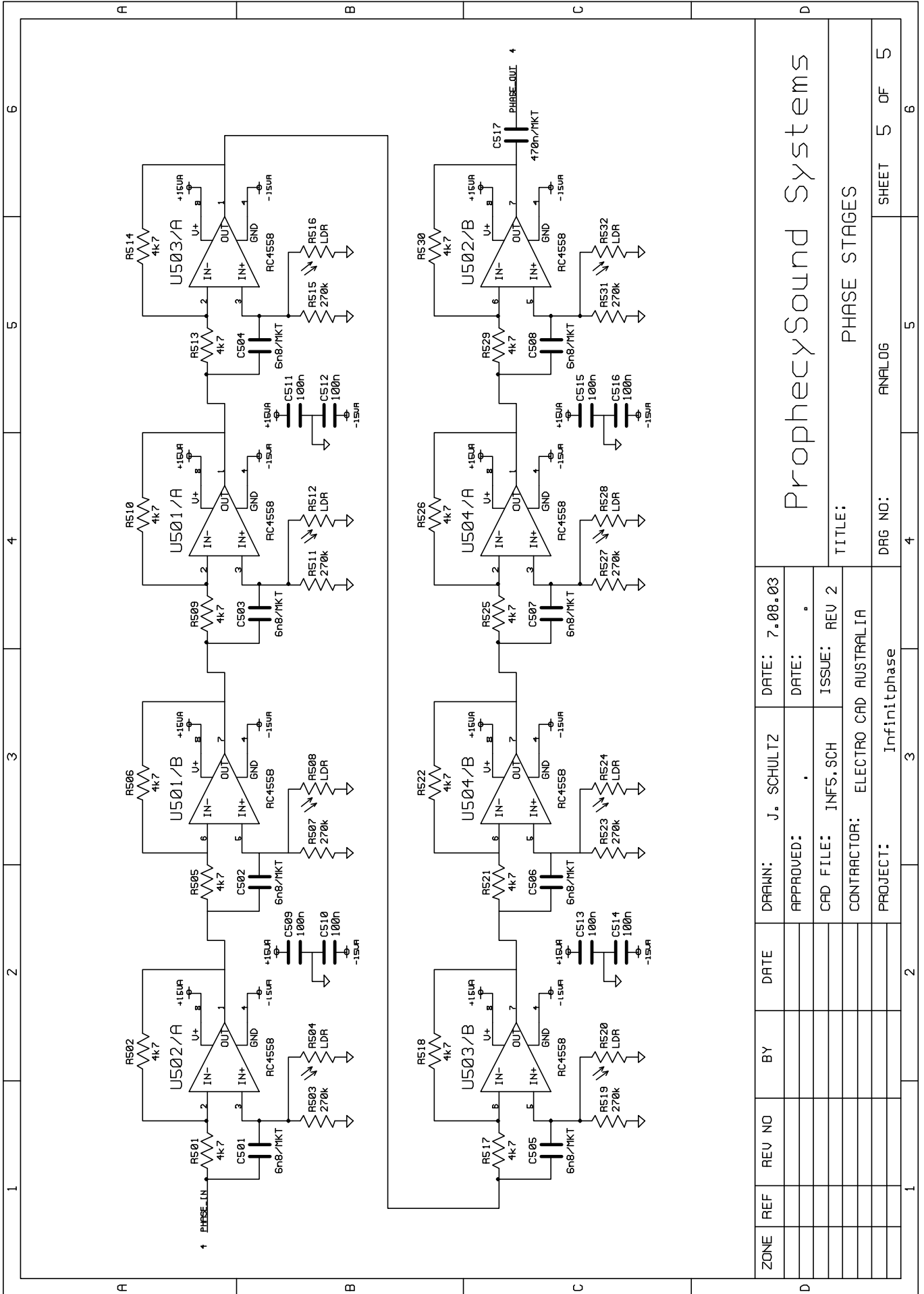
1 2 3 4 5 6

1 2 3 4 5 6

1 2 3 4 5 6

1 2 3 4 5 6

1 2 3 4 5 6



ZONE	REF	REV NO	BY	DATE	DRAWN:	J. SCHULTZ	DATE:	7.08.03
					APPROVED:	.	DATE:	.
					CAD FILE:	INFS.SCH	ISSUE:	REV 2
					CONTRACTOR:	ELECTRO CAD AUSTRALIA		
					PROJECT:	Infiniphase		
					ProphecySound Systems			
					TITLE: PHASE STAGES			
					DRG NO:	ANALOG	SHEET	5 OF 5